

Disassembly Instructions - 1 hp. Straight

Important: Use these instructions along with the tool parts page or manual.

Notice: To avoid damage to the motor housing, use the Special Repair Tools designed for the disassembly and assembly of this motor.

Disconnect the tool from the air supply. Use the appropriate wrenches to hold the work spindle stationary and remove the accessory.

Motor Disassembly:



1. Position the **51989** Repair Collar around the motor housing. Fasten the tool in a vise so that the work spindle is pointing up. Use a HEAT GUN to warm the **51947** Housing Cover and soften the thread adhesive.

Visit Our Website: www.dynabrade.com

Email: customer.service@dynabrade.com

DYNABRADE, INC. • DYNABRADE INTERNATIONAL

8989 Sheridan Drive, Clarence, New York 14031-1490 USA
Telephone: (716) 631-0100 • Fax: 716-631-2073 • Int'l Fax: 716-631-2524

DYNABRADE DO BRASIL

Rua Oneda, 632, Sao Bernardo do Campo • SP – CEP 09895-280
Telephone: 55-11-4390-0133 • Fax: 55-11-4399-1067

DYNABRADE EUROPE S.à r.l.

Zone Artisanale, L-5485 Wormeldange—Haut, Luxembourg
Telephone: +352 768 494 1 • Fax: +352 768 495

DYNABRADE INDIA ABRASIVE POWER TOOLS Pvt Ltd.

EL-54, TTC Industrial Area, M.I.D.C. Mahape, Electronic Zone, Navi Mumbai - 400705
Maharashtra, India • Telephone: +91 22 2763 2226 • Fax: +91 22 2763 2228



Disassembly/Assembly Instructions



- Use the **50971** Lock Ring Wrench or an adjustable pin wrench to remove the **51947** Housing Cover. Turn counterclockwise.

Visit Our Website: www.dynabrade.com

Email: customer.service@dynabrade.com

DYNABRADE, INC. • DYNABRADE INTERNATIONAL

8989 Sheridan Drive, Clarence, New York 14031-1490 USA
Telephone: (716) 631-0100 • Fax: 716-631-2073 • Int'l Fax: 716-631-2524

DYNABRADE DO BRASIL

Rua Oneda, 632, Sao Bernardo do Campo • SP – CEP 09895-280
Telephone: 55-11-4390-0133 • Fax: 55-11-4399-1067

DYNABRADE EUROPE S.à.r.l.

Zone Artisanale, L-5485 Wormeldange—Haut, Luxembourg
Telephone: +352 768 494 1 • Fax: +352 768 495

DYNABRADE INDIA ABRASIVE POWER TOOLS Pvt Ltd.

EL-54, TTC Industrial Area, M.I.D.C. Mahape, Electronic Zone, Navi Mumbai - 400705
Maharashtra, India • Telephone: +91 22 2763 2226 • Fax: +91 22 2763 2228



Disassembly/Assembly Instructions



2. Pull-up on the work spindle to remove the motor with the **96498** Wave Spring, and the **53620** Motor Adapter from the housing.

Visit Our Website: www.dynabrade.com

Email: customer.service@dynabrade.com

DYNABRADE, INC. • DYNABRADE INTERNATIONAL

8989 Sheridan Drive, Clarence, New York 14031-1490 USA
Telephone: (716) 631-0100 • Fax: 716-631-2073 • Int'l Fax: 716-631-2524

DYNABRADE DO BRASIL

Rua Oneda, 632, Sao Bernardo do Campo • SP – CEP 09895-280
Telephone: 55-11-4390-0133 • Fax: 55-11-4399-1067

DYNABRADE EUROPE S.à.r.l.

Zone Artisanale, L-5485 Wormeldange—Haut, Luxembourg
Telephone: +352 768 494 1 • Fax: +352 768 495

DYNABRADE INDIA ABRASIVE POWER TOOLS Pvt Ltd.

EL-54, TTC Industrial Area, M.I.D.C. Mahape, Electronic Zone, Navi Mumbai - 400705
Maharashtra, India • Telephone: +91 22 2763 2226 • Fax: +91 22 2763 2228



Disassembly/Assembly Instructions



- Carefully fasten the work spindle in a vise with aluminum or bronze jaws so that the governor is pointing up.
 - Use a flat-blade screwdriver to remove the governor. **Left Hand Thread** Turn clockwise.

Visit Our Website: www.dynabrade.com

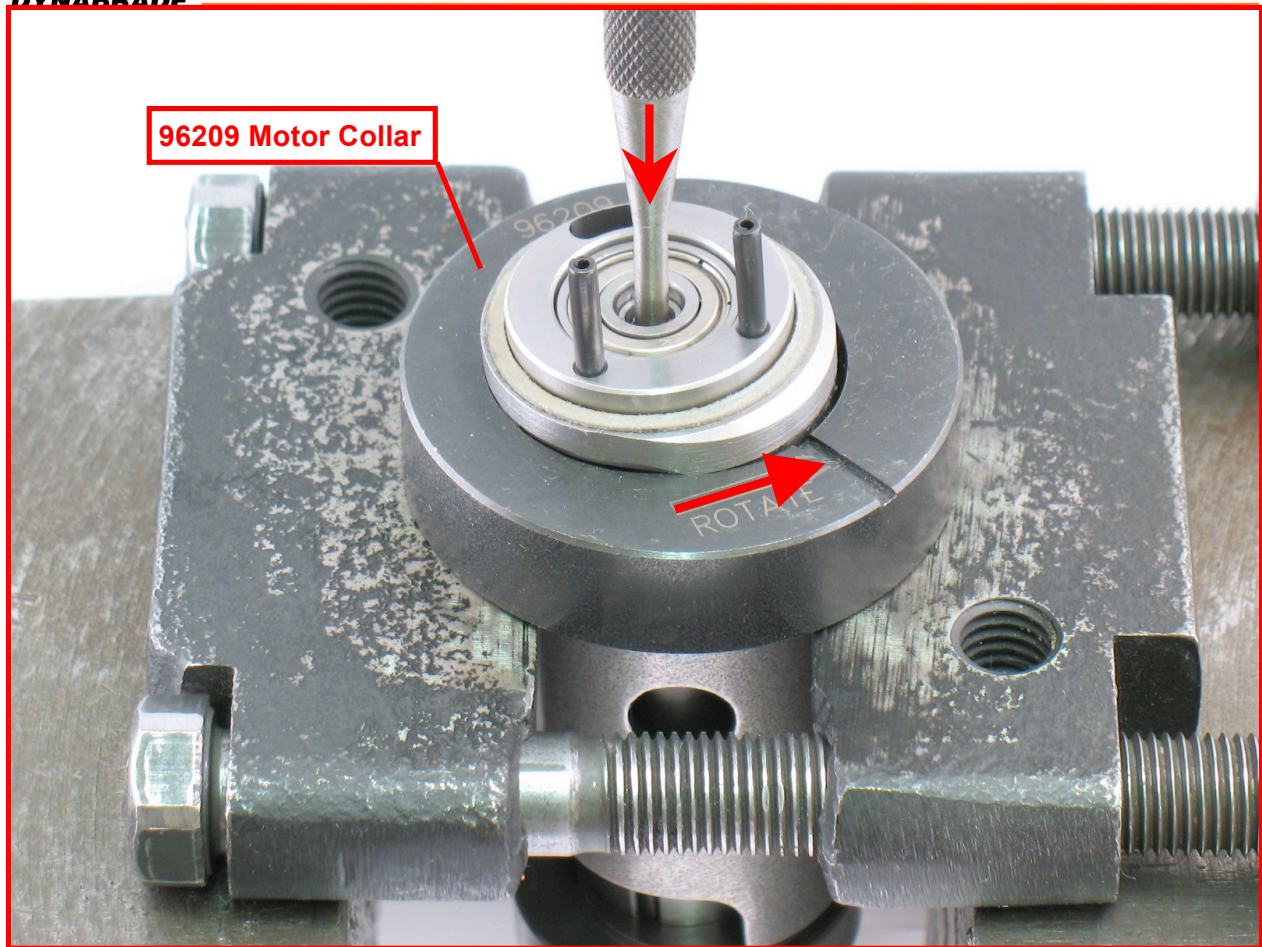
Email: customer.service@dynabrade.com

DYNABRADE, INC. • DYNABRADE INTERNATIONAL
8989 Sheridan Drive, Clarence, New York 14031-1490 USA
Telephone: (716) 631-0100 • Fax: 716-631-2073 • Int'l Fax: 716-631-2524

DYNABRADE DO BRASIL
Rua Oneda, 632, Sao Bernardo do Campo • SP – CEP 09895-280
Telephone: 55-11-4390-0133 • Fax: 55-11-4399-1067

DYNABRADE EUROPE S.à.r.l.
Zone Artisanale, L-5485 Wormeldange—Haut, Luxembourg
Telephone: +352 768 494 1 • Fax: +352 768 495

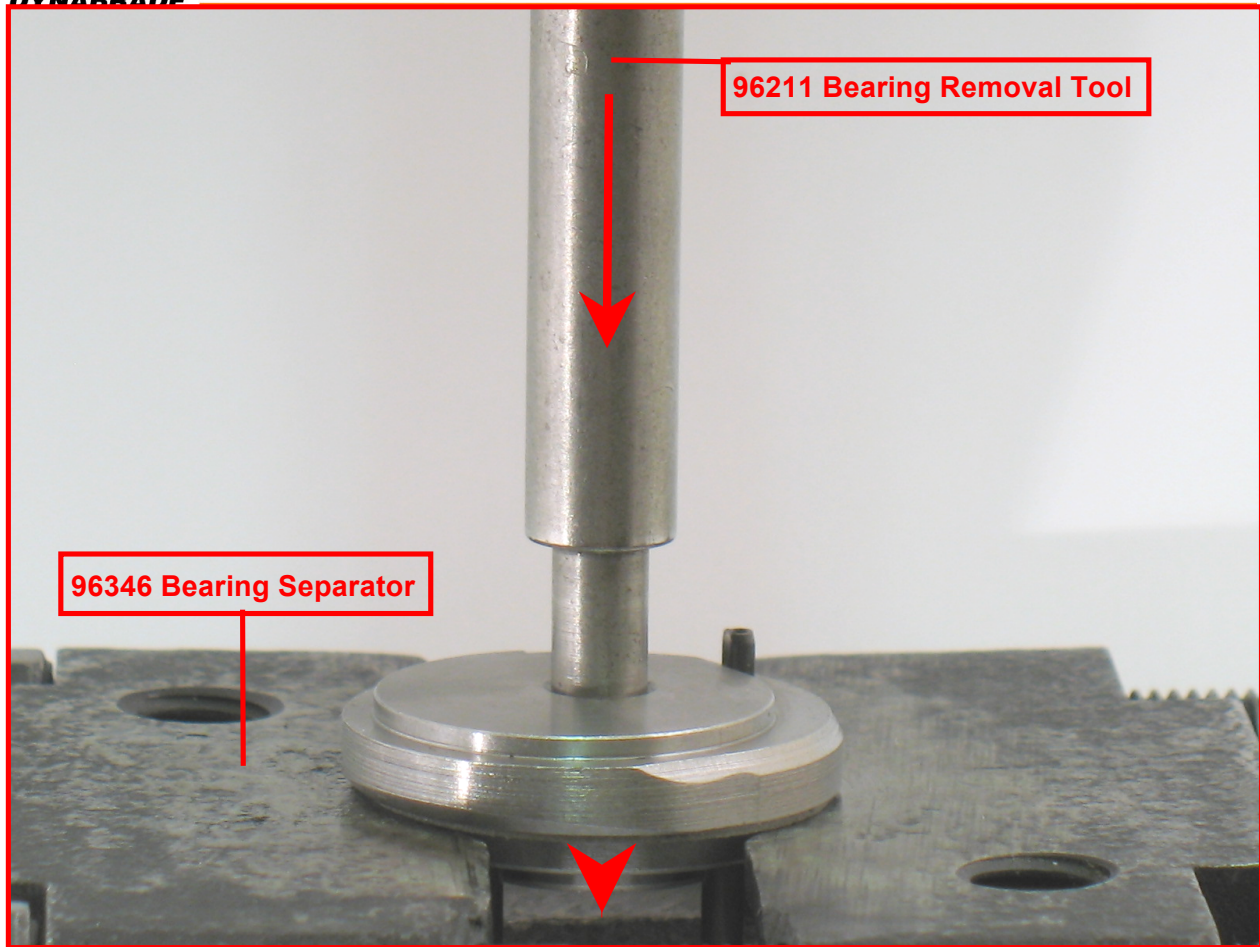
DYNABRADE INDIA ABRASIVE POWER TOOLS Pvt Ltd.
EL-54, TTC Industrial Area, M.I.D.C. Mahape, Electronic Zone, Navi Mumbai - 400705
Maharashtra, India • Telephone: +91 22 2763 2226 • Fax: +91 22 2763 2228



4. Fasten the **96209** Motor Collar around the cylinder, near the rear bearing plate.

Notice: Rotate the motor collar to lock-in under the rear bearing plate.

- Position the motor and collar in the **96232** Arbor Press (#2). Use a 1/8" or 3 mm flat-end drive punch as a press tool to push the rotor out of the **02057** Bearing.



5. Use the **96346** Bearing Separator (2"), the arbor press and the **96211** Bearing Removal Tool to remove the **02057** Bearing from the rear bearing plate.



6. Fasten the rotor in the vise with aluminum or bronze jaws so that the work spindle is pointing up. Use an adjustable wrench to remove the collet body. Turn counterclockwise.

Visit Our Website: www.dynabrade.com

Email: customer.service@dynabrade.com

DYNABRADE, INC. • DYNABRADE INTERNATIONAL
8989 Sheridan Drive, Clarence, New York 14031-1490 USA
Telephone: (716) 631-0100 • Fax: 716-631-2073 • Int'l Fax: 716-631-2524

DYNABRADE DO BRASIL
Rua Oneda, 632, Sao Bernardo do Campo • SP – CEP 09895-280
Telephone: 55-11-4390-0133 • Fax: 55-11-4399-1067

DYNABRADE EUROPE S.à.r.l.
Zone Artisanale, L-5485 Wormeldange—Haut, Luxembourg
Telephone: +352 768 494 1 • Fax: +352 768 495

DYNABRADE INDIA ABRASIVE POWER TOOLS Pvt Ltd.
EL-54, TTC Industrial Area, M.I.D.C. Mahape, Electronic Zone, Navi Mumbai - 400705
Maharashtra, India • Telephone: +91 22 2763 2226 • Fax: +91 22 2763 2228



7. By hand, use a press tool to remove the **54520** Bearing from the front bearing plate.
 - Remove the shims from the front bearing plate.

Visit Our Website: www.dynabrade.com

Email: customer.service@dynabrade.com

DYNABRADE, INC. • DYNABRADE INTERNATIONAL
8989 Sheridan Drive, Clarence, New York 14031-1490 USA
Telephone: (716) 631-0100 • Fax: 716-631-2073 • Int'l Fax: 716-631-2524

DYNABRADE DO BRASIL
Rua Oneda, 632, Sao Bernardo do Campo • SP – CEP 09895-280
Telephone: 55-11-4390-0133 • Fax: 55-11-4399-1067

DYNABRADE EUROPE S.à.r.l.
Zone Artisanale, L-5485 Wormeldange—Haut, Luxembourg
Telephone: +352 768 494 1 • Fax: +352 768 495

DYNABRADE INDIA ABRASIVE POWER TOOLS Pvt Ltd.
EL-54, TTC Industrial Area, M.I.D.C. Mahape, Electronic Zone, Navi Mumbai - 400705
Maharashtra, India • Telephone: +91 22 2763 2226 • Fax: +91 22 2763 2228



Disassembly/Assembly Instructions



8. Remove the 51927 Spacer from the rotor.
- Motor Disassembly Completed.**

Visit Our Website: www.dynabrade.com

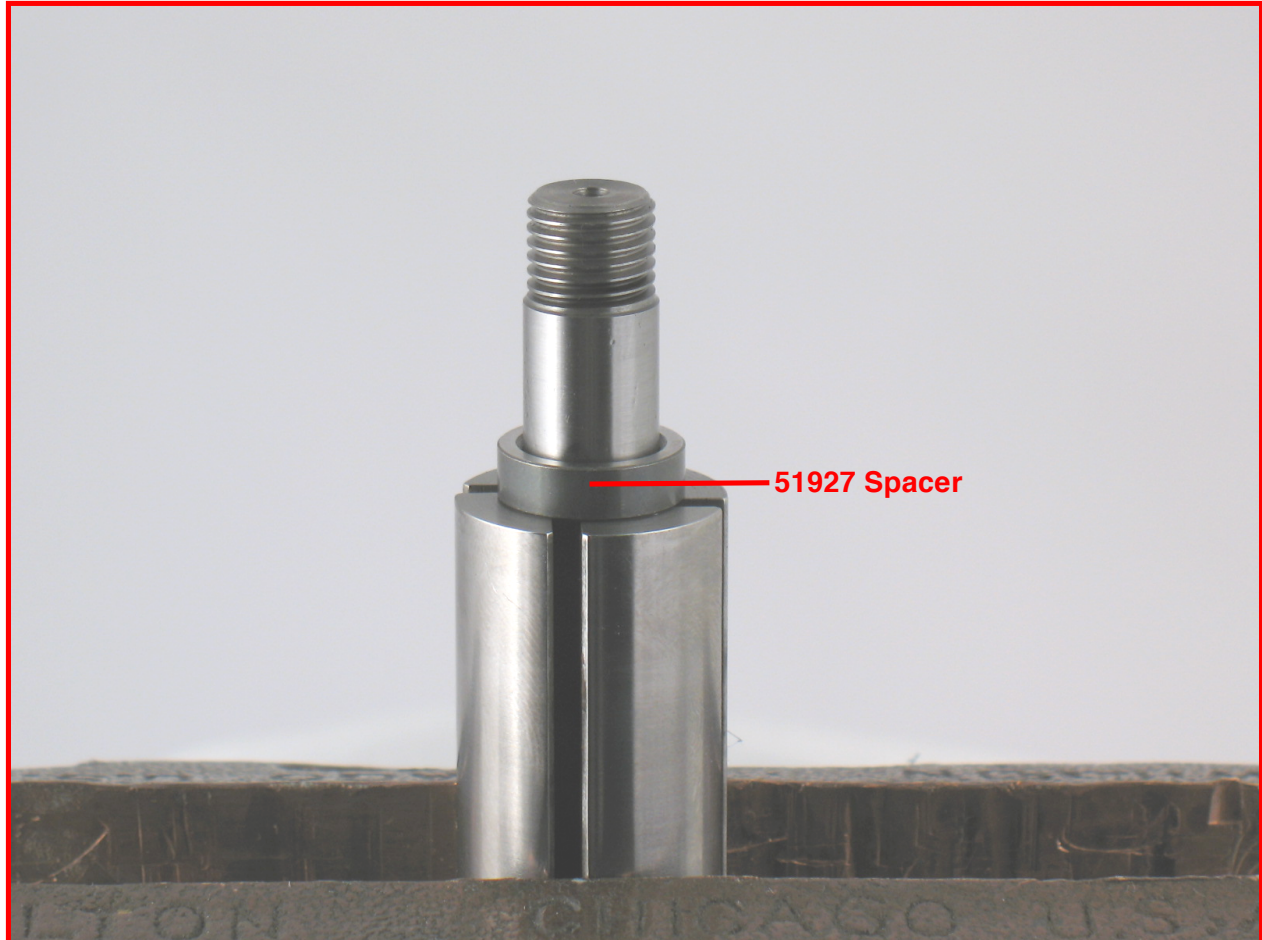
Email: customer.service@dynabrade.com

DYNABRADE, INC. • DYNABRADE INTERNATIONAL
8989 Sheridan Drive, Clarence, New York 14031-1490 USA
Telephone: (716) 631-0100 • Fax: 716-631-2073 • Int'l Fax: 716-631-2524

DYNABRADE DO BRASIL
Rua Oneda, 632, Sao Bernardo do Campo • SP – CEP 09895-280
Telephone: 55-11-4390-0133 • Fax: 55-11-4399-1067

DYNABRADE EUROPE S.à.r.l.
Zone Artisanale, L-5485 Wormeldange—Haut, Luxembourg
Telephone: +352 768 494 1 • Fax: +352 768 495

DYNABRADE INDIA ABRASIVE POWER TOOLS Pvt Ltd.
EL-54, TTC Industrial Area, M.I.D.C. Mahape, Electronic Zone, Navi Mumbai - 400705
Maharashtra, India • Telephone: +91 22 2763 2226 • Fax: +91 22 2763 2228



Clean and inspect parts before assembling.

Assembly Instructions - 1 hp. Straight

Motor Assembly:

1. Fasten the rotor in a vise with aluminum or bronze jaws so that the work spindle is pointing up.
 - Install the **51927** Spacer onto the rotor.

Visit Our Website: www.dynabrade.com

Email: customer.service@dynabrade.com

DYNABRADE, INC. • DYNABRADE INTERNATIONAL
8989 Sheridan Drive, Clarence, New York 14031-1490 USA
Telephone: (716) 631-0100 • Fax: 716-631-2073 • Int'l Fax: 716-631-2524

DYNABRADE DO BRASIL
Rua Oneda, 632, Sao Bernardo do Campo • SP – CEP 09895-280
Telephone: 55-11-4390-0133 • Fax: 55-11-4399-1067

DYNABRADE EUROPE S.à.r.l.
Zone Artisanale, L-5485 Wormeldange—Haut, Luxembourg
Telephone: +352 768 494 1 • Fax: +352 768 495

DYNABRADE INDIA ABRASIVE POWER TOOLS Pvt Ltd.
EL-54, TTC Industrial Area, M.I.D.C. Mahape, Electronic Zone, Navi Mumbai - 400705
Maharashtra, India • Telephone: +91 22 2763 2226 • Fax: +91 22 2763 2228



2. Select .003" (~0.08 mm) shim thickness from the **51951** Shim Pack.
 - Install shims into the **51922** Front Bearing Plate.
 - Install the **54520** Bearing.

Visit Our Website: www.dynabrade.com

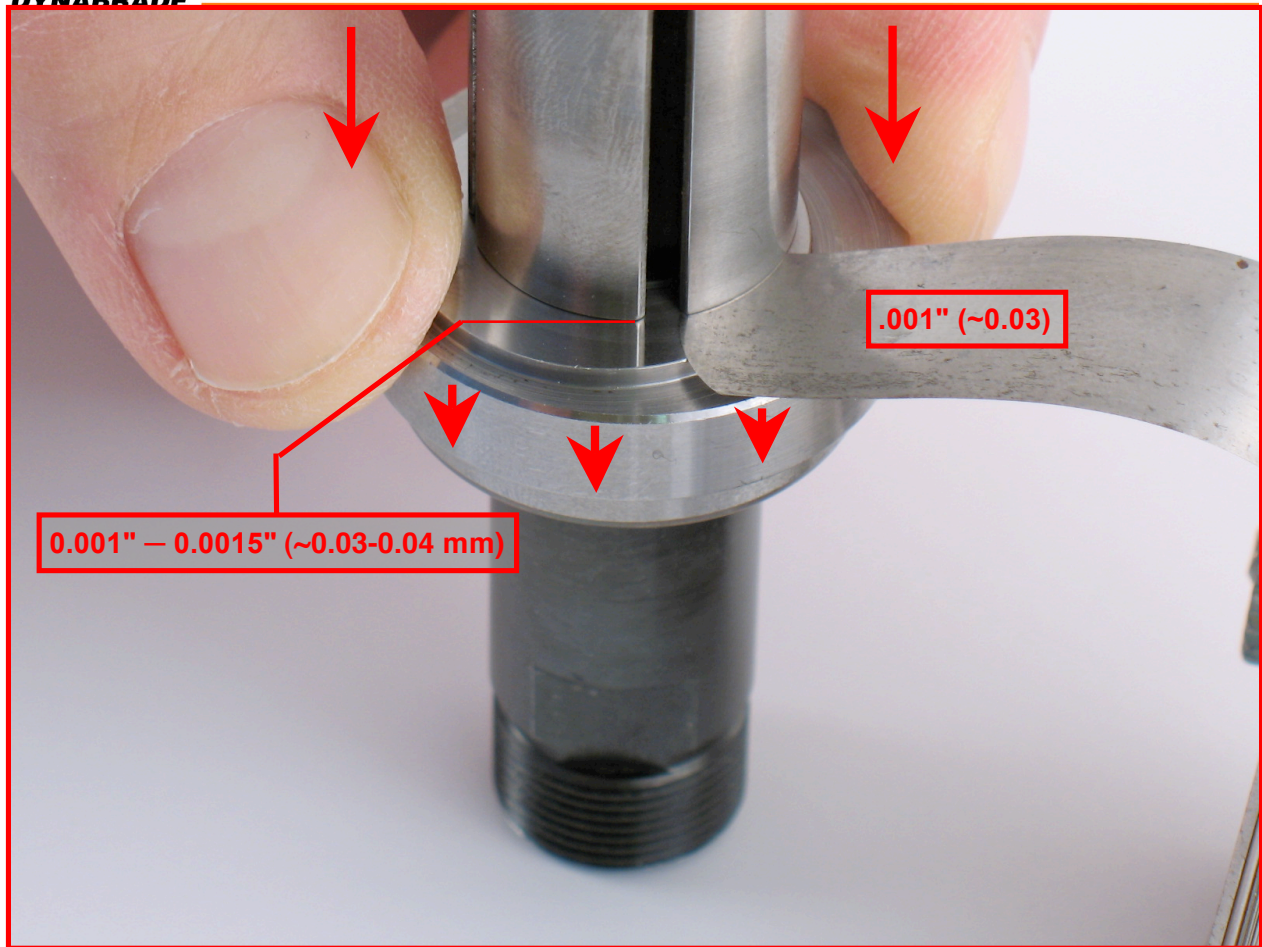
Email: customer.service@dynabrade.com

DYNABRADE, INC. • DYNABRADE INTERNATIONAL
8989 Sheridan Drive, Clarence, New York 14031-1490 USA
Telephone: (716) 631-0100 • Fax: 716-631-2073 • Int'l Fax: 716-631-2524

DYNABRADE DO BRASIL
Rua Oneda, 632, Sao Bernardo do Campo • SP – CEP 09895-280
Telephone: 55-11-4390-0133 • Fax: 55-11-4399-1067

DYNABRADE EUROPE S.à.r.l.
Zone Artisanale, L-5485 Wormeldange—Haut, Luxembourg
Telephone: +352 768 494 1 • Fax: +352 768 495

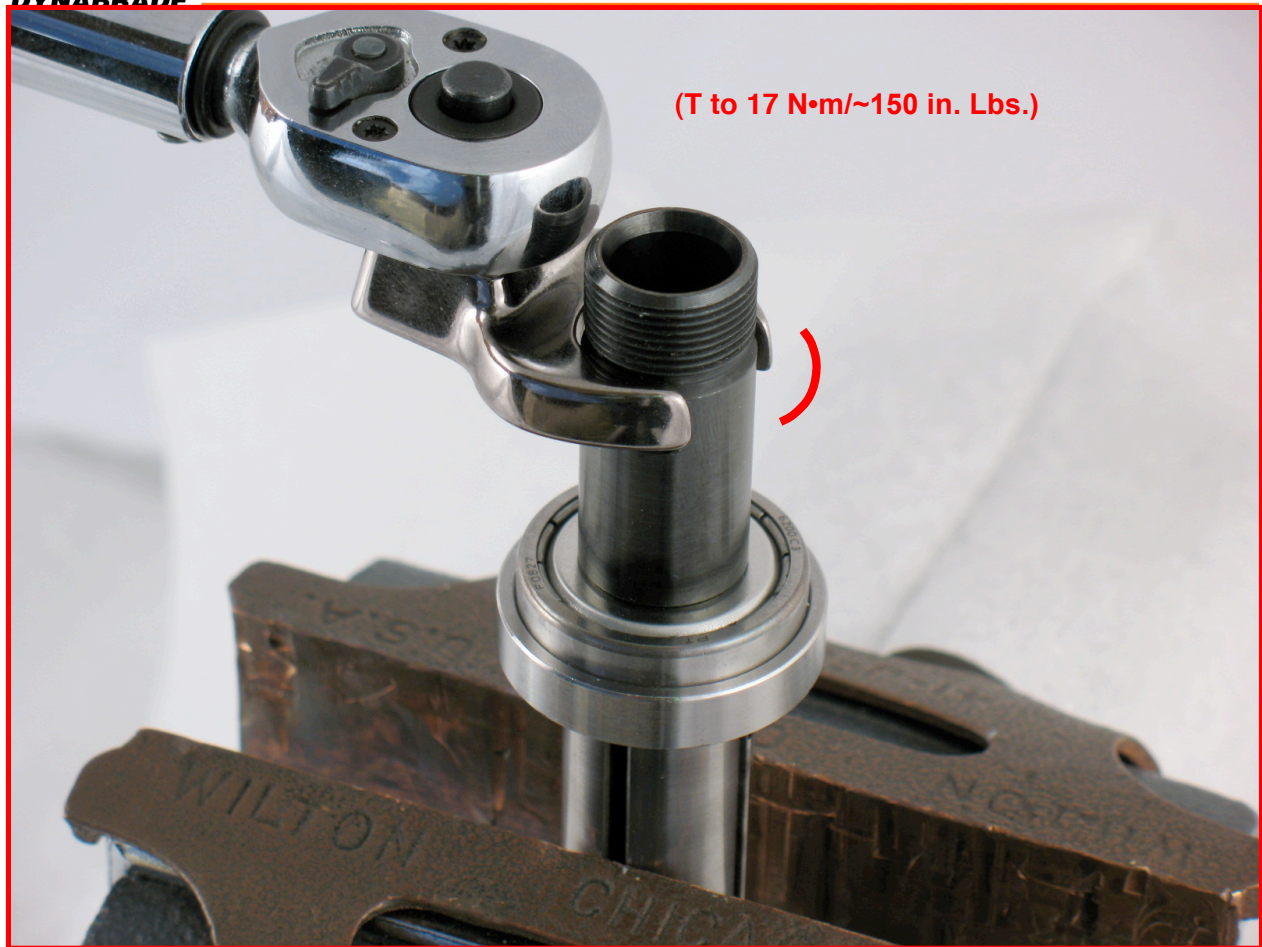
DYNABRADE INDIA ABRASIVE POWER TOOLS Pvt Ltd.
EL-54, TTC Industrial Area, M.I.D.C. Mahape, Electronic Zone, Navi Mumbai - 400705
Maharashtra, India • Telephone: +91 22 2763 2226 • Fax: +91 22 2763 2228



3. Install the **51922** Front Bearing Plate and bearing onto the rotor.
 - By hand, install the **50011** Collet Body onto the rotor.
 - Use a .001" (~0.03 mm) feeler gauge to check the gap between the rotor and the front bearing plate. The correct gap should be .001" - .0015" (~0.03 mm - ~0.04 mm).
Notice: Add or remove shim thickness to set the correct gap.



Disassembly/Assembly Instructions



- Use a 14 mm crowfoot and torque wrench to fasten the **50011** Collet Body onto the rotor. (T to 17 N•m/~150 in. Lbs.)

Visit Our Website: www.dynabrade.com

Email: customer.service@dynabrade.com

DYNABRADE, INC. • DYNABRADE INTERNATIONAL

8989 Sheridan Drive, Clarence, New York 14031-1490 USA
Telephone: (716) 631-0100 • Fax: 716-631-2073 • Int'l Fax: 716-631-2524

DYNABRADE DO BRASIL

Rua Oneda, 632, Sao Bernardo do Campo • SP – CEP 09895-280
Telephone: 55-11-4390-0133 • Fax: 55-11-4399-1067

DYNABRADE EUROPE S.à.r.l.

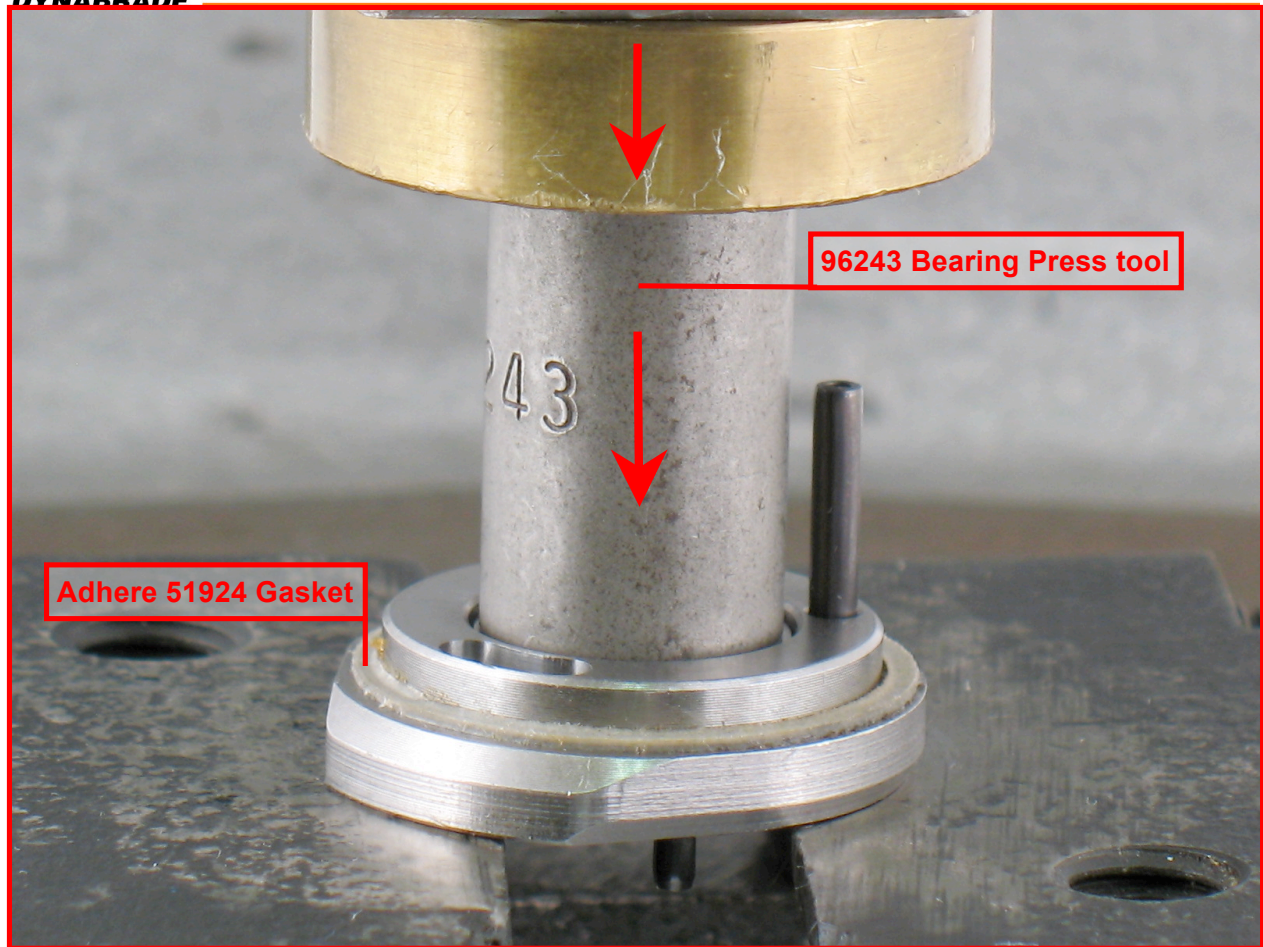
Zone Artisanale, L-5485 Wormeldange—Haut, Luxembourg
Telephone: +352 768 494 1 • Fax: +352 768 495

DYNABRADE INDIA ABRASIVE POWER TOOLS Pvt Ltd.

EL-54, TTC Industrial Area, M.I.D.C. Mahape, Electronic Zone, Navi Mumbai - 400705
Maharashtra, India • Telephone: +91 22 2763 2226 • Fax: +91 22 2763 2228



Disassembly/Assembly Instructions



4. Use a mild solvent to remove all oil from the **51923** Rear Bearing Plate. Peel the backing from the **51924** Gasket and adhere the adhesive side to the bearing plate.
 - Use the **RAISED OUTSIDE DIAMETER** of the **96243** Bearing Press tool and the **96232** Arbor Press (#2) to fully install the **02057** Bearing into the **51923** Rear Bearing Plate.

Visit Our Website: www.dynabrade.com

Email: customer.service@dynabrade.com

DYNABRADE, INC. • DYNABRADE INTERNATIONAL
8989 Sheridan Drive, Clarence, New York 14031-1490 USA
Telephone: (716) 631-0100 • Fax: 716-631-2073 • Int'l Fax: 716-631-2524

DYNABRADE DO BRASIL
Rua Oneda, 632, Sao Bernardo do Campo • SP – CEP 09895-280
Telephone: 55-11-4390-0133 • Fax: 55-11-4399-1067

DYNABRADE EUROPE S.à.r.l.
Zone Artisanale, L-5485 Wormeldange—Haut, Luxembourg
Telephone: +352 768 494 1 • Fax: +352 768 495

DYNABRADE INDIA ABRASIVE POWER TOOLS Pvt Ltd.
EL-54, TTC Industrial Area, M.I.D.C. Mahape, Electronic Zone, Navi Mumbai - 400705
Maharashtra, India • Telephone: +91 22 2763 2226 • Fax: +91 22 2763 2228



5. Apply the **95842** Dynabrade Air Lube or equivalent to the **51926** Vanes and install them into the rotor.

Visit Our Website: www.dynabrade.com

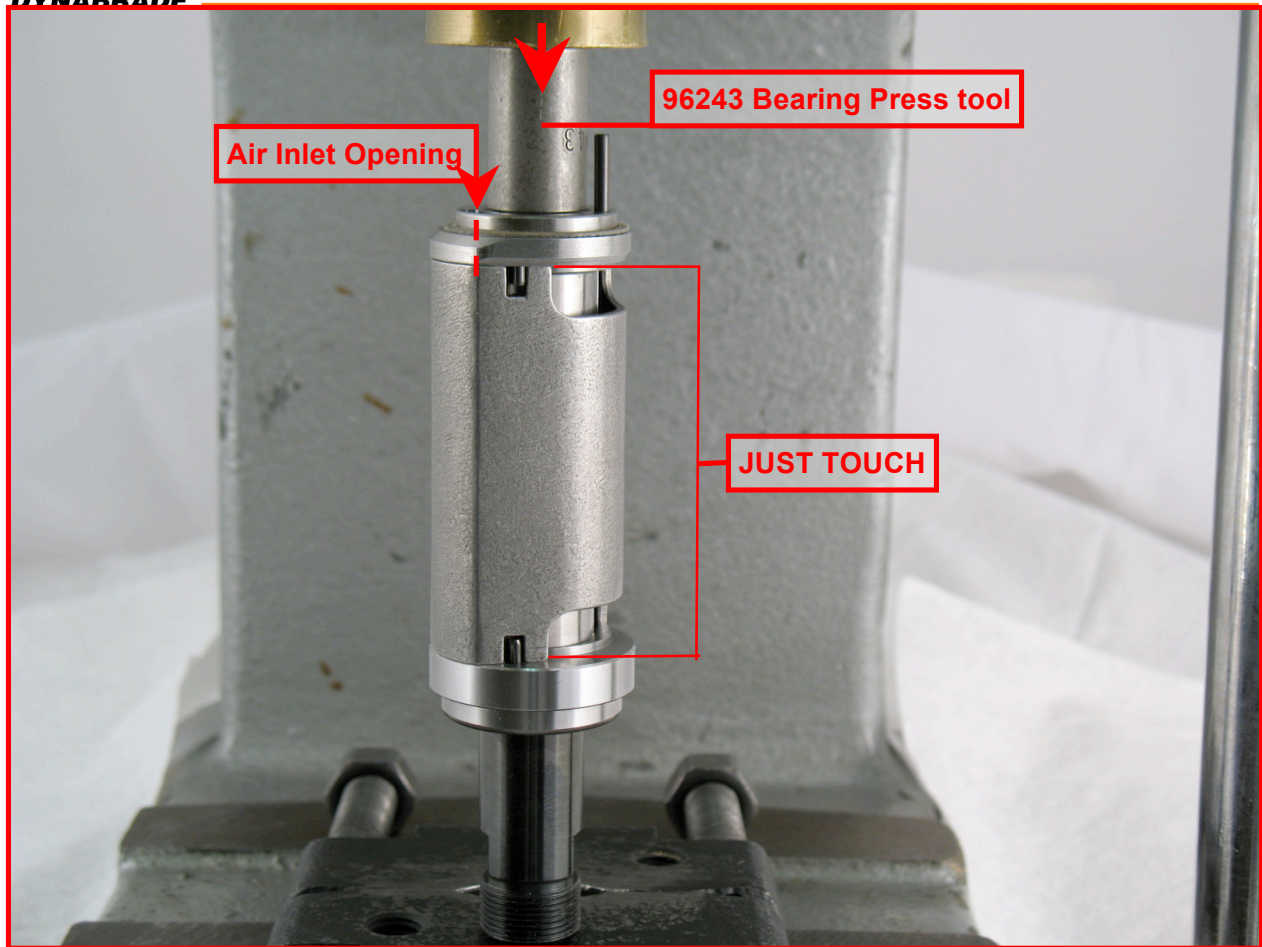
Email: customer.service@dynabrade.com

DYNABRADE, INC. • DYNABRADE INTERNATIONAL
8989 Sheridan Drive, Clarence, New York 14031-1490 USA
Telephone: (716) 631-0100 • Fax: 716-631-2073 • Int'l Fax: 716-631-2524

DYNABRADE DO BRASIL
Rua Oneda, 632, Sao Bernardo do Campo • SP – CEP 09895-280
Telephone: 55-11-4390-0133 • Fax: 55-11-4399-1067

DYNABRADE EUROPE S.à.r.l.
Zone Artisanale, L-5485 Wormeldange—Haut, Luxembourg
Telephone: +352 768 494 1 • Fax: +352 768 495

DYNABRADE INDIA ABRASIVE POWER TOOLS Pvt Ltd.
EL-54, TTC Industrial Area, M.I.D.C. Mahape, Electronic Zone, Navi Mumbai - 400705
Maharashtra, India • Telephone: +91 22 2763 2226 • Fax: +91 22 2763 2228



6. Install the **51925** Cylinder so that the air inlet opening in the **51923** Rear Bearing Plate will line-up with the air inlet in the cylinder.
7. Use the **RAISED INSIDE DIAMETER** of the **96243** Bearing Press tool and the arbor press to install the **02057** Bearing and rear bearing plate onto the rotor.
 - Carefully press the bearing and plate down until the plate **just touches the cylinder**. This will establish a close fit between the bearing plates and the cylinder.



Disassembly/Assembly Instructions



Visit Our Website: www.dynabrade.com

Email: customer.service@dynabrade.com

DYNABRADE, INC. • DYNABRADE INTERNATIONAL

8989 Sheridan Drive, Clarence, New York 14031-1490 USA
Telephone: (716) 631-0100 • Fax: 716-631-2073 • Int'l Fax: 716-631-2524

DYNABRADE DO BRASIL

Rua Oneda, 632, Sao Bernardo do Campo • SP – CEP 09895-280
Telephone: 55-11-4390-0133 • Fax: 55-11-4399-1067

DYNABRADE EUROPE S.à.r.l.

Zone Artisanale, L-5485 Wormeldange—Haut, Luxembourg
Telephone: +352 768 494 1 • Fax: +352 768 495

DYNABRADE INDIA ABRASIVE POWER TOOLS Pvt Ltd.

EL-54, TTC Industrial Area, M.I.D.C. Mahape, Electronic Zone, Navi Mumbai - 400705
Maharashtra, India • Telephone: +91 22 2763 2226 • Fax: +91 22 2763 2228



Disassembly/Assembly Instructions



8. Fasten the **50011** Collet Body in the vise with aluminum or bronze jaws so that the back end of the motor is pointing up.
 - Apply a small amount of Loctite #243 to the thread of the governor.
 - Use a torque driver to install the governor onto the rotor. **Left Hand Thread** Turn counterclockwise. (**T** to 2 N•m/~18 in. Lbs.)

Visit Our Website: www.dynabrade.com

Email: customer.service@dynabrade.com

DYNABRADE, INC. • DYNABRADE INTERNATIONAL
8989 Sheridan Drive, Clarence, New York 14031-1490 USA
Telephone: (716) 631-0100 • Fax: 716-631-2073 • Int'l Fax: 716-631-2524

DYNABRADE DO BRASIL
Rua Oneda, 632, Sao Bernardo do Campo • SP – CEP 09895-280
Telephone: 55-11-4390-0133 • Fax: 55-11-4399-1067

DYNABRADE EUROPE S.à.r.l.
Zone Artisanale, L-5485 Wormeldange—Haut, Luxembourg
Telephone: +352 768 494 1 • Fax: +352 768 495

DYNABRADE INDIA ABRASIVE POWER TOOLS Pvt Ltd.
EL-54, TTC Industrial Area, M.I.D.C. Mahape, Electronic Zone, Navi Mumbai - 400705
Maharashtra, India • Telephone: +91 22 2763 2226 • Fax: +91 22 2763 2228



9. Use the **51989** Repair Collar to hold the motor housing in a vise so that the opening of the housing is pointing up.
 - Line-up the **96445** Pins with the notches on the inside of the housing and install the motor.

Visit Our Website: www.dynabrade.com

Email: customer.service@dynabrade.com

DYNABRADE, INC. • DYNABRADE INTERNATIONAL
8989 Sheridan Drive, Clarence, New York 14031-1490 USA
Telephone: (716) 631-0100 • Fax: 716-631-2073 • Int'l Fax: 716-631-2524

DYNABRADE DO BRASIL
Rua Oneda, 632, Sao Bernardo do Campo • SP – CEP 09895-280
Telephone: 55-11-4390-0133 • Fax: 55-11-4399-1067

DYNABRADE EUROPE S.à.r.l.
Zone Artisanale, L-5485 Wormeldange—Haut, Luxembourg
Telephone: +352 768 494 1 • Fax: +352 768 495

DYNABRADE INDIA ABRASIVE POWER TOOLS Pvt Ltd.
EL-54, TTC Industrial Area, M.I.D.C. Mahape, Electronic Zone, Navi Mumbai - 400705
Maharashtra, India • Telephone: +91 22 2763 2226 • Fax: +91 22 2763 2228



- Install the **53620** Motor Adapter with o-ring, and the **96498** Wave Spring.
- Apply Loctite Primer #7649 or equivalent to the housing thread.

Visit Our Website: www.dynabrade.com

Email: customer.service@dynabrade.com

DYNABRADE, INC. • DYNABRADE INTERNATIONAL
8989 Sheridan Drive, Clarence, New York 14031-1490 USA
Telephone: (716) 631-0100 • Fax: 716-631-2073 • Int'l Fax: 716-631-2524

DYNABRADE DO BRASIL
Rua Oneda, 632, Sao Bernardo do Campo • SP – CEP 09895-280
Telephone: 55-11-4390-0133 • Fax: 55-11-4399-1067

DYNABRADE EUROPE S.à.r.l.
Zone Artisanale, L-5485 Wormeldange—Haut, Luxembourg
Telephone: +352 768 494 1 • Fax: +352 768 495

DYNABRADE INDIA ABRASIVE POWER TOOLS Pvt Ltd.
EL-54, TTC Industrial Area, M.I.D.C. Mahape, Electronic Zone, Navi Mumbai - 400705
Maharashtra, India • Telephone: +91 22 2763 2226 • Fax: +91 22 2763 2228



- Apply a small amount of Loctite #567 to housing thread.

Visit Our Website: www.dynabrade.com

Email: customer.service@dynabrade.com

DYNABRADE, INC. • DYNABRADE INTERNATIONAL

8989 Sheridan Drive, Clarence, New York 14031-1490 USA
Telephone: (716) 631-0100 • Fax: 716-631-2073 • Int'l Fax: 716-631-2524

DYNABRADE DO BRASIL

Rua Oneda, 632, Sao Bernardo do Campo • SP – CEP 09895-280
Telephone: 55-11-4390-0133 • Fax: 55-11-4399-1067

DYNABRADE EUROPE S.à.r.l.

Zone Artisanale, L-5485 Wormeldange—Haut, Luxembourg
Telephone: +352 768 494 1 • Fax: +352 768 495

DYNABRADE INDIA ABRASIVE POWER TOOLS Pvt Ltd.

EL-54, TTC Industrial Area, M.I.D.C. Mahape, Electronic Zone, Navi Mumbai - 400705
Maharashtra, India • Telephone: +91 22 2763 2226 • Fax: +91 22 2763 2228



(T to 35 N•m/~300 in. lbs.)

50971 Lock Ring Wrench

- Use the **50971** Lock Ring Wrench and torque wrench to install **51947** Housing Cover.
(T to 35 N•m/~300 in. lbs.)

10. Install collet insert and **50012** Collet Cap.
Motor Assembly Completed.

Notice: Refer to the parts page or tool manual, and follow the exploded view instructions to disassemble and assemble the muffler and valve components.

Visit Our Website: www.dynabrade.com

Email: customer.service@dynabrade.com

DYNABRADE, INC. • DYNABRADE INTERNATIONAL
8989 Sheridan Drive, Clarence, New York 14031-1490 USA
Telephone: (716) 631-0100 • Fax: 716-631-2073 • Int'l Fax: 716-631-2524

DYNABRADE DO BRASIL
Rua Oneda, 632, Sao Bernardo do Campo • SP – CEP 09895-280
Telephone: 55-11-4390-0133 • Fax: 55-11-4399-1067

DYNABRADE EUROPE S.à.r.l.
Zone Artisanale, L-5485 Wormeldange—Haut, Luxembourg
Telephone: +352 768 494 1 • Fax: +352 768 495

DYNABRADE INDIA ABRASIVE POWER TOOLS Pvt Ltd.
EL-54, TTC Industrial Area, M.I.D.C. Mahape, Electronic Zone, Navi Mumbai - 400705
Maharashtra, India • Telephone: +91 22 2763 2226 • Fax: +91 22 2763 2228



Disassembly/Assembly Instructions

Visit Our Website: www.dynabrade.com

Email: customer.service@dynabrade.com

DYNABRADE, INC. • DYNABRADE INTERNATIONAL

8989 Sheridan Drive, Clarence, New York 14031-1490 USA
Telephone: (716) 631-0100 • Fax: 716-631-2073 • Int'l Fax: 716-631-2524

DYNABRADE DO BRASIL

Rua Oneda, 632, Sao Bernardo do Campo • SP – CEP 09895-280
Telephone: 55-11-4390-0133 • Fax: 55-11-4399-1067

DYNABRADE EUROPE S.à r.l.

Zone Artisanale, L-5485 Wormeldange—Haut, Luxembourg
Telephone: +352 768 494 1 • Fax: +352 768 495

DYNABRADE INDIA ABRASIVE POWER TOOLS Pvt Ltd.

EL-54, TTC Industrial Area, M.I.D.C. Mahape, Electronic Zone, Navi Mumbai - 400705
Maharashtra, India • Telephone: +91 22 2763 2226 • Fax: +91 22 2763 2228